

HONORA ABOVE COUNTER BASIN

Cat. No
4-8086



W: 19-3/8"
D: 11-1/2"
H: 5-1/8"

***Please do NOT drill hole without
template or actual product.**

Interior Dimensions:

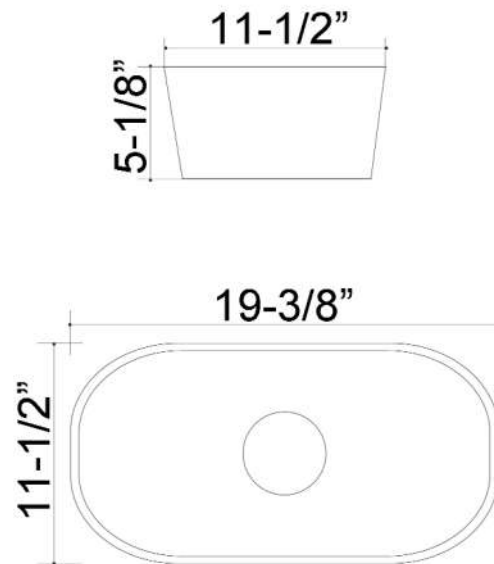
Basin Interior: 10-3/8" x 18-3/8"
Basin Depth: 2-3/8"
Back of basin to center of drain: 5-3/4"

Features:

- ▶ Above counter basin
- ▶ Vitreous china for durability
- ▶ No overflow
- ▶ Drain not provided
- ▶ White drain cover included
- ▶ Can be used with grid drain #5601 and umbrella drain # UD701 (Not included)

Colors:
WH White

Compliance Certification
Meets or exceeds the following
specifications: ASME A112.19.2
2013 and CSA B45.1-13 for
ceramic plumbing fixtures.



Dimensions of fixture are nominal and may vary within the range of tolerances established by AMSE Standard A112.19.2.2013 Dimensions and specifications subject to change without notice.